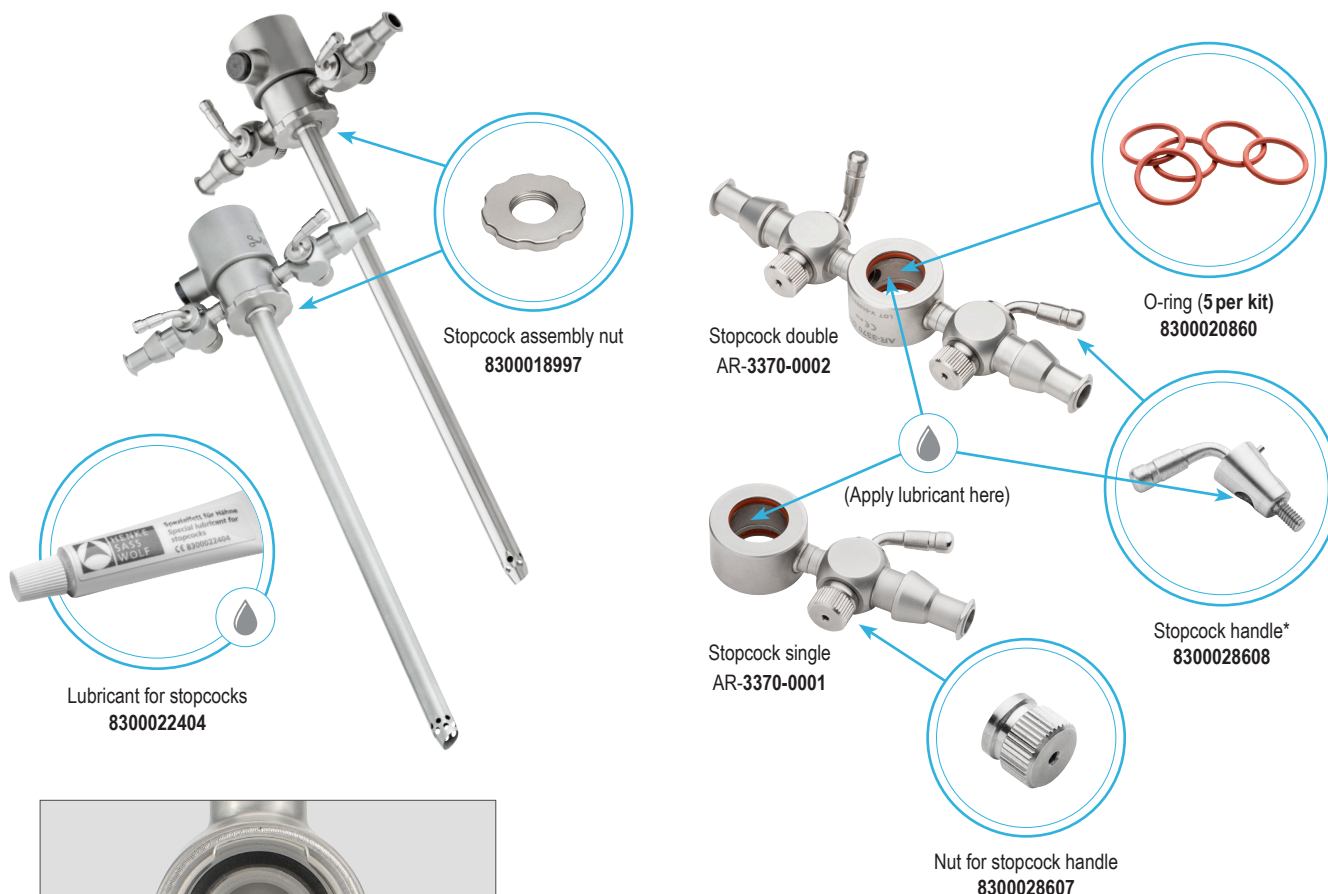


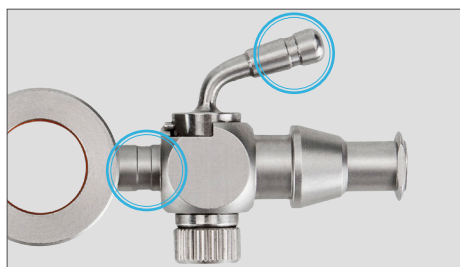
Spare and Replacement Parts for Synergy Sheath Systems

Quick Guide

AR-337X-YY0Z* | X = 0/1/2/3/4 | YY = 50/40/30/03/27/24/19 | Z = 1/2



Inner O-ring is not replaceable



New stopcock handle version with groove

***Attention:**

There is a new and an old version of the stopcock handles. The new version has a groove engraved in the handle which correlates to an engraved groove in the stopcock housing. The old and new versions are not interchangeable. The item number for the old stopcock handle version is 8300019001.

* For further information on our item numbers please refer to the product catalog.