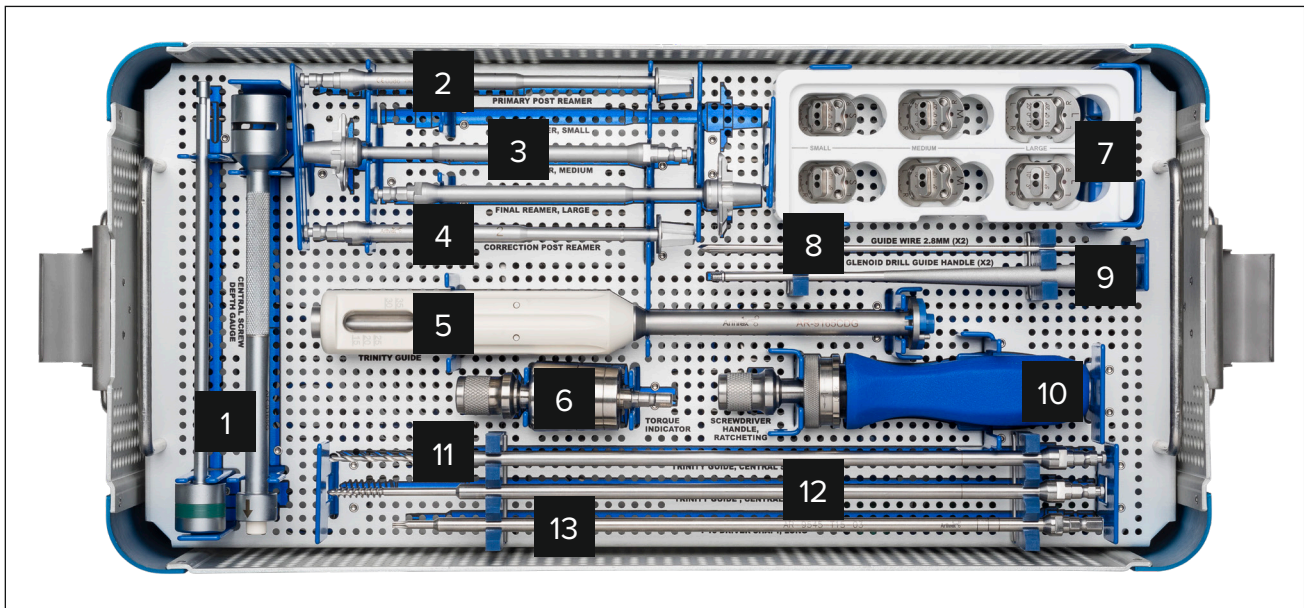
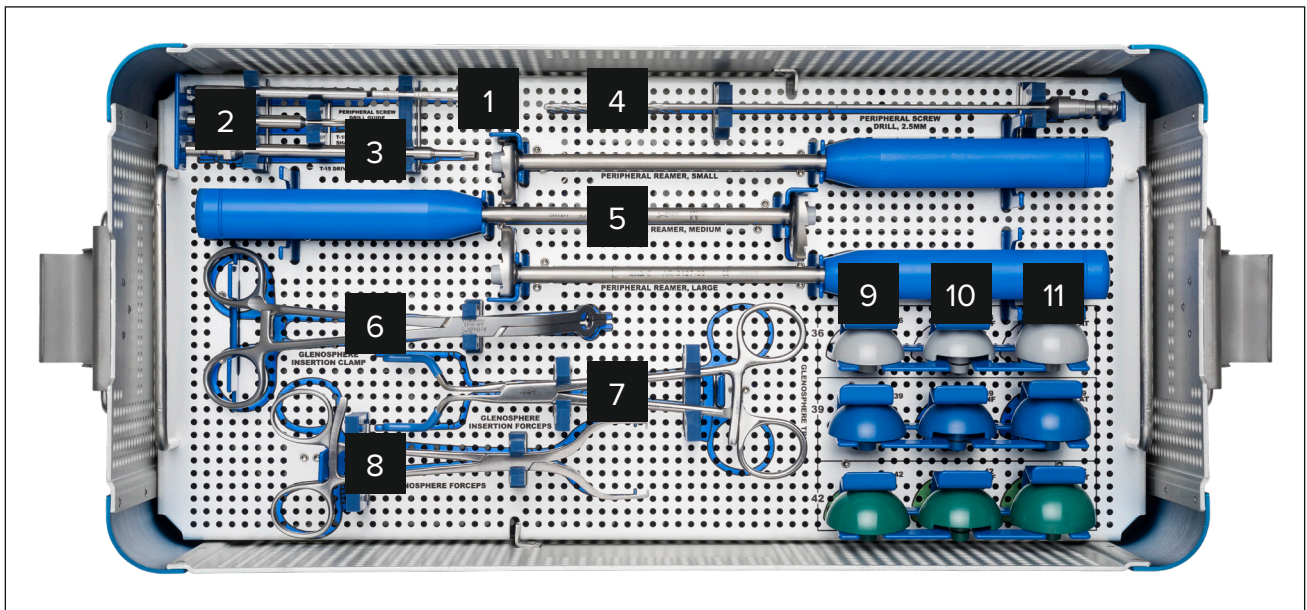


Univers Revers™ Glenoid

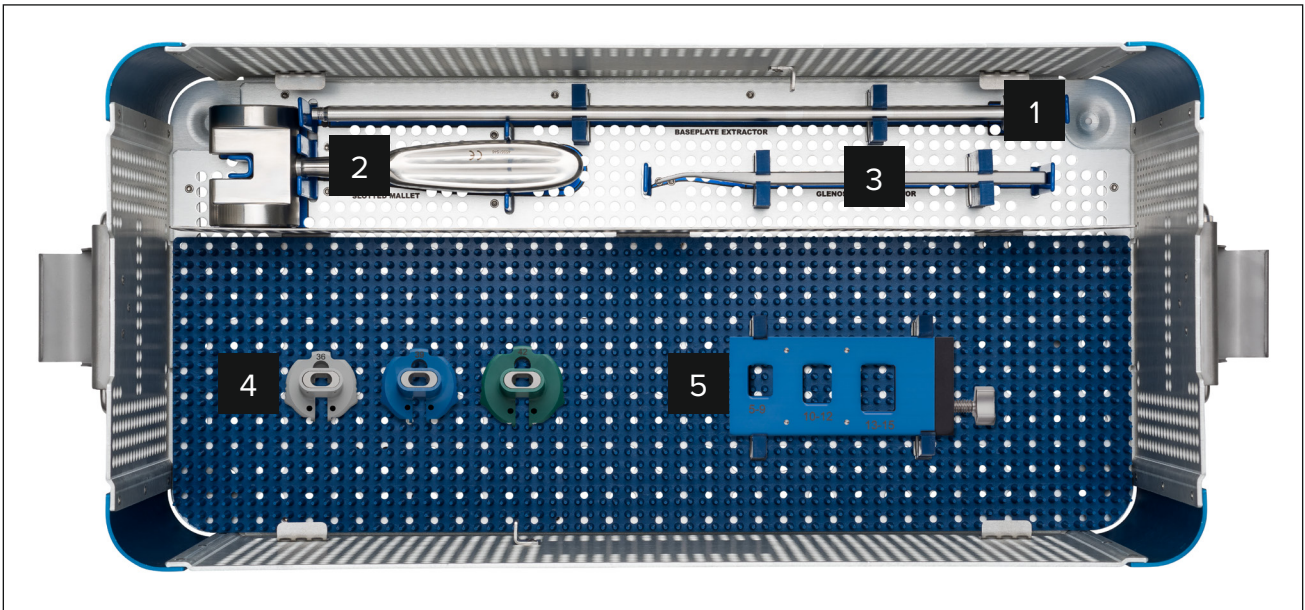
AR-9501GS



Pic.	Item Number	Qty.	Description
1	AR-9165G		Central Screw Depth Gauge
2	AR-9126RP		Primary Post Reamer
3	AR-9126-01/02/03		Final Reamers
4	AR-9126RC		Correction Post Reamer
5	AR-9165CDG		Universal Glenoid Baseplate Impactor (Trinity Guide)
6	AR-9545-T15H		Torque Indicating Adapter
7	AR-9125-1/AR9125-10		Glenoid Drill Guide, small
	AR-9125-2/AR9125-20		Glenoid Drill Guide, medium
	AR-9125-3/AR9125-30		Glenoid Drill Guide, large
8	AR-9165K		2.8 mm Guide Pin
9	AR-9125H		Glenoid Drill Guide Handle
10	AR-1999HH		Ratcheting Modular Handle
11	AR-9165DDG		Baseplate Impactor Drill, 2.8 mm
12	AR-9165TDG		Baseplate Impactor Central Screw Tap
13	AR-9545-T15-03		T15 Driver Shaft, long



Pic.	Item Number	Qty.	Description
1	AR-9145DG		Peripheral Screw Drill Guide
2	AR-9545-T15-01 1		T15 Driver Shaft, short
3	AR-9545-T15-02 1		T15 Driver Shaft, medium
4	AR-9145K		Peripheral Screw Drill, 2.5 mm
5	AR-9127-01/02/03		Baseplate Coring Reamers
6	AR-9542		Glenosphere Insertion Clamp
7	AR-9240		Glenosphere Insertion Forceps
8	AR-9544		Glenosphere Forceps
9	AR-9540SM AR-9540SM-INF AR-9540SM-04		Trial Glenospheres, 36 mm
10	AR-9540MD AR-9540SM-02 AR-9540MD-04		Trial Glenospheres, 39 mm
11	AR-9540LG AR-9540MD-02 AR-9540LG-04		Trial Glenospheres, 42 mm



Pic.	Item Number	Qty.	Description
1	AR-9120E		Baseplate Extractor
2	AR-9231-21		Slotted Mallet
3	AR-9123GE		Glenosphere Extractor/Chisel
4	AR-9532-36/39/42		Cup Alignment Guides
5	AR-9532		Revers Humeral Assembly Station

Date of Surgery:

Surgeon Name:

Account:

Representative Contact Information:

Set Total:

Miscellaneous Notes:

To obtain a copy of a product's directions for use (DFU), which includes sterilization instructions, please visit our website at www.arthrex.com/edfu or contact your local representative.

www.arthrex.com

© 2019 Arthrex, Inc. All rights reserved.

