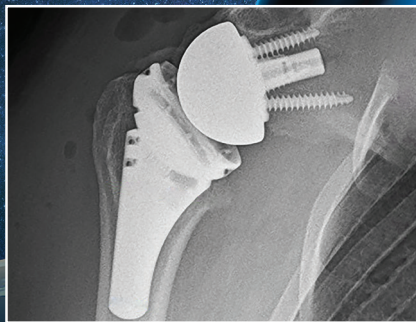
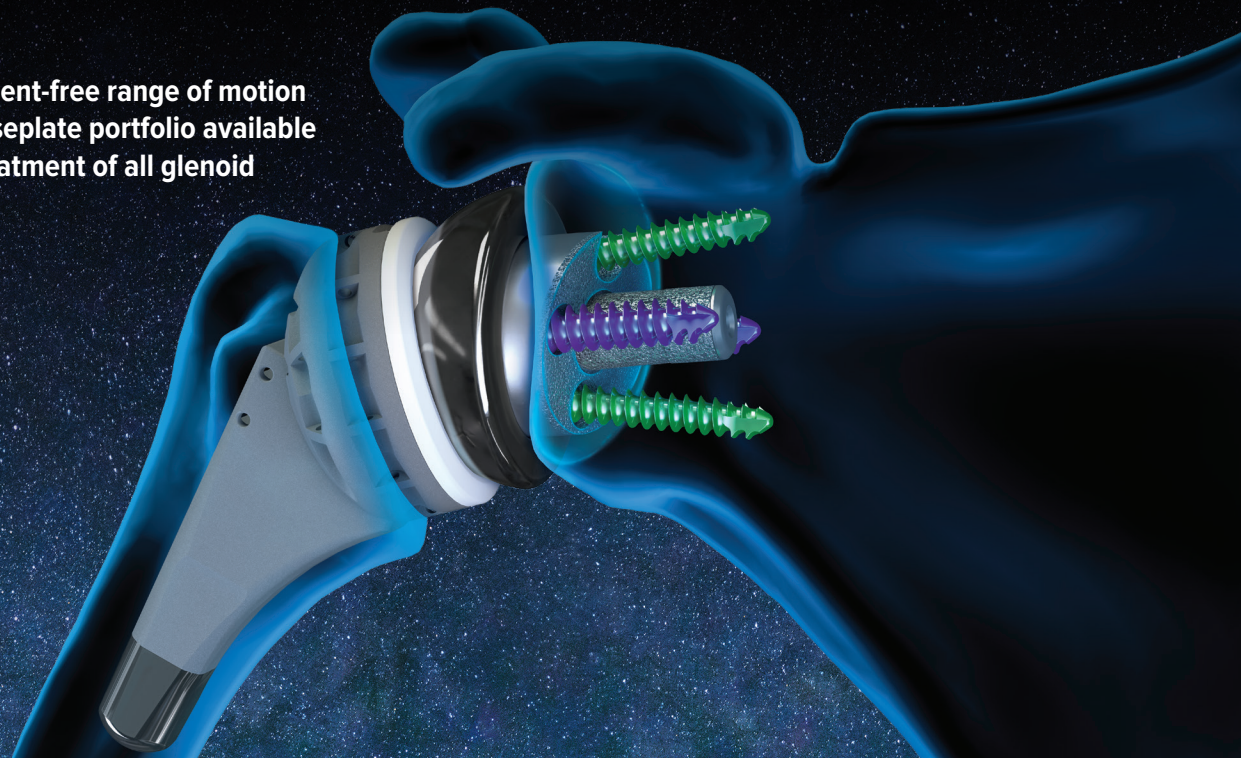


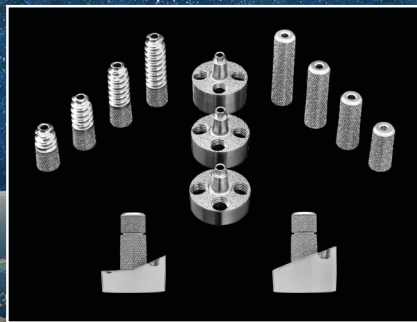
Univers Revers™ Total Shoulder System

Celebrating Over 10 Years of Positive Outcomes

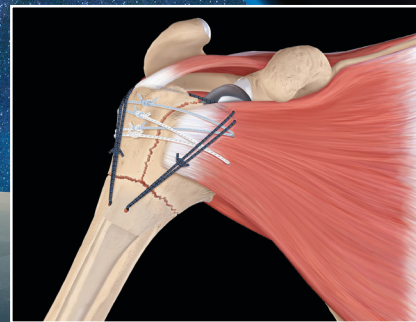
Optimize impingement-free range of motion with the largest baseplate portfolio available for the effective treatment of all glenoid wear patterns^{1,2}



Inlay 135° neck-shaft angle reduces scapular notching^{1,2}



Screw or post fixation, full- or half-wedge augments, and options for lateralization up to 8 mm



Reproducible reduction with FxBridge™ tuberosity repair system and 135° neck-shaft angle for optimal tuberosity healing³

Learn more about the
Univers Revers total
shoulder system



References

1. Erickson BJ, et al. *J Shoulder Elbow Surg.* 2015;24(6):988-993. doi:10.1016/j.jse.2015.01.001 2. Gobeze R, et al. *J Shoulder Elbow Surg.* 2019;28(5):813-818. doi:10.1016/j.jse.2018.11.064 3. Schmalz J, et al. *BMC Musculoskelet Disord.* 2020;21(1):35. doi:10.1186/s12891-020-3060-8



© 2024-09 Arthrex, Inc. All rights reserved. AD1-000598-en-US_B