



Digital Documentation Tablet Installation Manual 950-0081-00

Note: Enclosed tablet must be paired with a Synergy^{HD3} or Synergy^{UHD4} CCU with SW version X.13.2 or later. If you require instructions on how to update a Synergy CCU please contact Arthrex Technical Support at 1(800) 391-8599.

1. Unpack the Tablet and Tablet Installation Kit from its shipping carton.



Cable connector type will vary depending on model.

Figure 1-Tablet Install Kit

2. Prepare two M4 x 10 Phillips Pan Head screws [from plastic bag] for use in the top two screw holes of the Tablet Mounting Bracket.

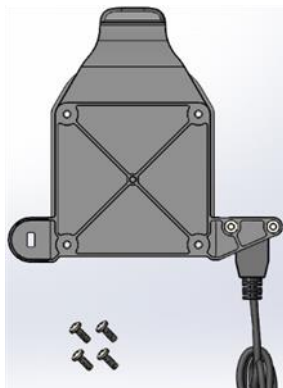


Figure 2- M4 mounting screws and tablet Mounting Bracket

3. Align the Tablet to the arm mounting holes, and screw in the two M4 x 10 Phillips Pan Head screws through the arm and into the top two holes of the Tablet Mounting Bracket leaving the screws loose.

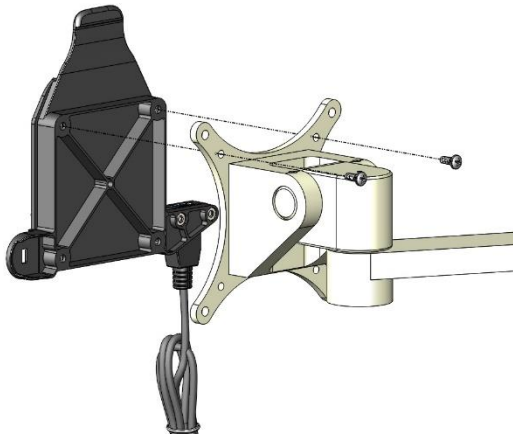


Figure 3-Tablet Holder Mounted to Arm

4. Screw the remaining two M4 Phillips Pan Head screws through the mounting arm and into the lower holes of the Tablet Mounting Bracket. Tighten all screws.

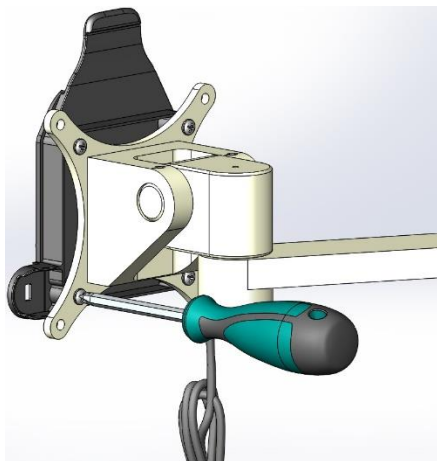


Figure 4-Securing tablet to arm

5. End, tablet mounting to arm.

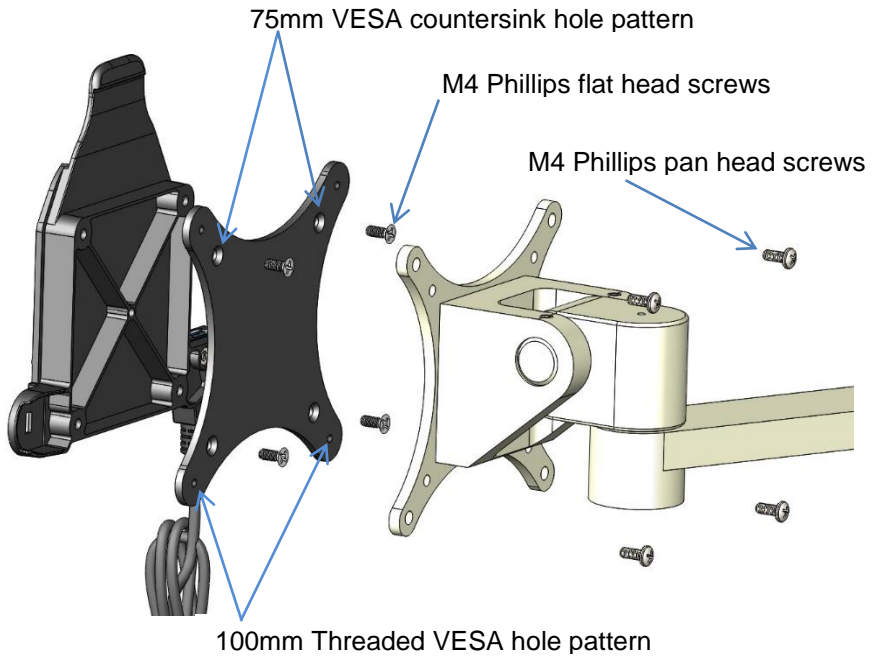


Figure 5-Optional adaptor plate

NOTE: If the Tablet is deployed remotely from Synergy console and connecting via Wi-Fi, it will require charging by the enclosed USB power adaptor. A USB 3.0 extension cable is also required. **The extension cable must be 6ft (1.8M) in length or less**, with USB Type A connectors on both the female and male ends. If the Tablet is being placed on a flat surface using the kickstand a 90 degree USB connector should be used.



Foreseeson Custom Displays Inc.

2210 E. Winston Road
Anaheim, CA 92806, USA
(714) 300-0540

Manufactured for:

Arthrex Inc.

1370 Creekside Blvd.
Naples, FL 34108, USA
1 (800) 934-4404

Technical Support

1 (800) 391-8599



Foreseeson GmbH
Industriestrasse 38a
63150 Heusenstamm, Germany
+49-(0) 6104-64398-0

All rights reserved. Printed in USA